

PROFESSIONAL, QUALITY, SERVICE
IS OUR FINAL TARGET THAT WE PURSUIT

CLG 朗格阀门
LANGGE VALVE





中国朗格阀门科技有限公司

CHINA LANGGE VALVE
TECHINOLOGY CO.,LTD

目录 CONTENTS

Company Introduction

Ball Valve Series

Butterfly Valve Series

Gate Valve Series

Knife Gate Valve Series

Globe Valve Series

Check Valve Series

Other Valves

Application Areas

Certifications

Contact details

企业简介

Company Introduction

中国朗格阀门科技有限公司成立于1998年，是一家集研发、生产、销售、服务于一体的阀门制造商。工厂位于中国“泵阀之乡”浙江省温州市永嘉县瓯北镇，是国内最专业的工业阀门制造商之一。工厂总占地面积27000平方米，建筑面积19900平方米。

现有员工100人，工程师5人，拥有高科技设备、加工及检测设备。我们的主要产品有球阀、蝶阀、闸阀、截止阀、止回阀、刀闸阀、旋塞阀、针阀及各种特殊阀门。主要材质有WCB、WCC、WC6、WC9、LCB、CF3、CF3M、CF8、CF8M、CF8C、A105、F5、F11、F22、LF2、F51、F304、F304L、F316、F317、F347、F21、M30C、MONEL400、MONEL K500、HASTELLOYC4等。压力：150LB ~ 2500LB，PN1.0 ~ 42MPa。温度：-196°C ~ 850°C，DN：3/8' ~ 72'，3MM ~ 4200MM。执行机构方式：手动、齿轮旋转、电动、气动、液动 标准：API、ANSI、ISO、BS、JIS、DIN、NF、GB、JS、HG、SH。

公司拥有非常严格的科学管理体系，合理的产品结构可靠、制造工艺独特精湛。产品广泛应用于石化、天然气、冶金、电力、制药、建筑、污水处理及环保等行业，并远销俄罗斯、中东、东南亚、欧美等国家和地区，广泛深受用户好评和信赖。



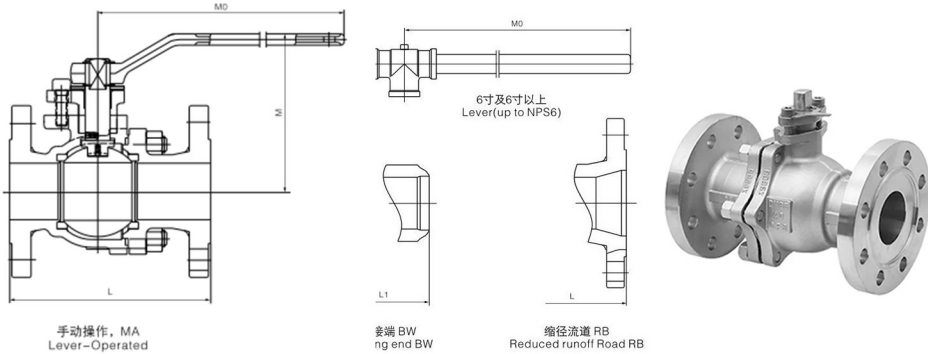
China Lange Valve Technology Co., Ltd. was established in 1998. It is a valve manufacturer integrating R&D, production, sales and service. The factory is located in Oubei Town, Yongjia County, Wenzhou City, Zhejiang Province, the "Hometown of Pumps and Valves" in China. It is one of the most professional industrial valve manufacturers in China. The factory covers a total area of 27,000 square meters and a construction area of 19,900 square meters.

100 employees, 5 engineers, with high-tech equipment, processing and testing equipment. Our main products are ball valves, butterfly valves, gate valves, globe valves, check valves, knife gate valves, plug valve, needle valves and a variety of special valves. The main materials are WCB, WCC, WC6, WC9, LCB, CF3, CF3M, CF8, CF8M, CF8C, A105, F5, F11, F22, LF2, F51, F304, F304L, F316, F317, F347, F21, M30C, MONEL400, MONEL K500, HASTELLOYC4 and so on. Pressure: 150LB ~ 2500LB, PN1.0 ~ 42MPa. Temperature: -196°C ~ 850°C, DN: 3/8' ~ 72', 3mm ~ 4200mm. Actuator way: manual, gear rotation, electric, pneumatic, hydraulic Standard: API, ANSI, ISO, BS, JIS, DIN, NF, GB, JS, HG, SH.

The company has a very strict scientific management system, reasonable product structure, reliable, unique and exquisite manufacturing process. The products are widely used in petrochemical, natural gas, metallurgy, electric power, pharmaceutical, construction, sewage treatment and environmental protection industries and exported to Russia, the Middle East, Southeast Asia, Europe and the United States and other countries and regions, widely praised and trust by users.

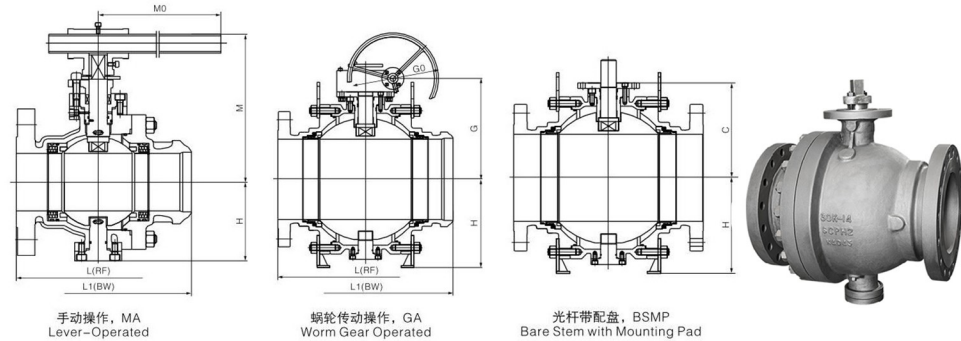


Cast Steel Floating Ball Valve



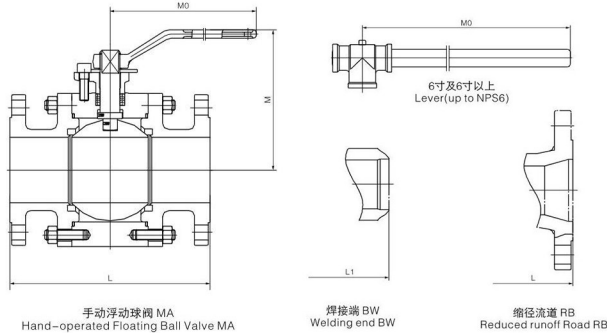
Normal diameter DN(mm):	DN50-DN1600
Normal pressure(Mpa):	0.6MPa-42MPa
Suitable Temperature:	-196°C~550°C (Different raw material for different work Temperature)
Design Standard:	GB,API,ASME,JIS,DIN,BS
Connection End:	Flanged,Butt-Welding,Thread etc.
Operation:	Handle,Worm-gear,Pneumatic actuator, Electric actuator,Pneumatic-hydraulic drive,Electro-hydraulic drive;
Main material:	A216 WCB、WCC、WC6、A351 CF8、CF8M、CF3、CF3M、A352 LCB、LCC、LC1 and other special materials etc.
Suitable medium:	Water,Steam,Oil,Gas ,Petrochemicaland other medium;

Cast Steel Trunnion Mounted Ball Valve



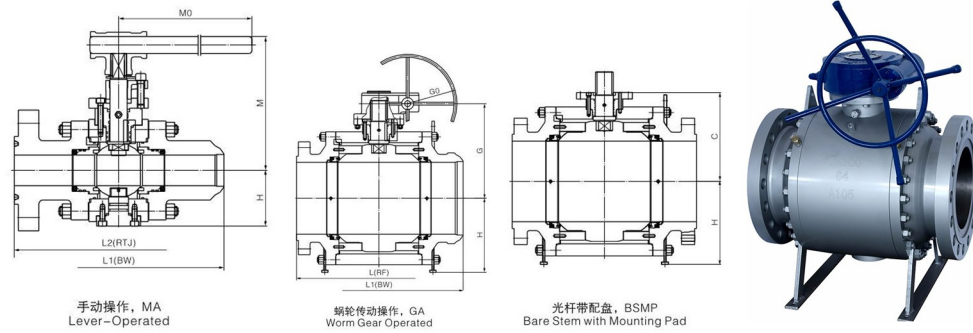
Normal diameter DN(mm):	DN50-DN1600
Normal pressure(Mpa):	0.6MPa-42MPa
Suitable Temperature:	-196°C~550°C (Different raw material for different work Temperature)
Design Standard:	GB,API,ASME,JIS,DIN,BS
Connection End:	Flanged,Butt-Welding,Thread etc.
Operation:	Handle,Worm-gear,Pneumatic actuator, Electric actuator,Pneumatic-hydraulic drive,Electro-hydraulic drive;
Main material:	A216 WCB、WCC、WC6、A351 CF8、CF8M、CF3、CF3M、A352 LCB、LCC、LC1 and other special materials etc.
Suitable medium:	Water,Steam,Oil,Gas ,Petrochemicaland other medium;

Forged Steel Floating Ball Valve



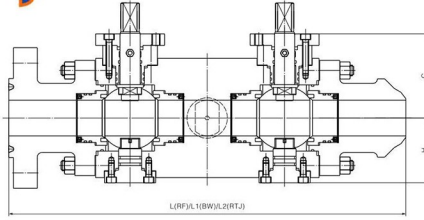
Normal diameter DN(mm):	DN15-DN200
Normal pressure(Mpa):	0.6MPa-42MPa
Suitable Temperature:	-196°C~550°C (Different raw material for different work Temperature)
Design Standard:	GB,API,ASME,JIS,DIN,BS
Connection End:	Flanged,Butt-Welding,Thread etc.
Operation:	Handle,Worm-gear,Pneumatic actuator, Electric actuator,Pneumatic-hydraulic drive,Electro-hydraulic drive;
Main material:	A105、A350 LF2、LF3、A182 F304、F316、F321、F316L、F304L、F310、F51 and other special materials etc.
Suitable medium:	Water,Steam,Oil,Gas ,Petrochemicaland other medium;

Forged Steel Trunnion Mounted Ball Valve



Normal diameter DN(mm):	DN50-DN1400
Normal pressure(Mpa):	0.6MPa-42MPa
Suitable Temperature:	-196°C~550°C (Different raw material for different work Temperature)
Design Standard:	GB,API,ASME,JIS,DIN,BS
Connection End:	Flanged,Butt-Welding,Thread etc.
Operation:	Handle,Worm-gear,Pneumatic actuator, Electric actuator,Pneumatic-hydraulic drive,Electro-hydraulic drive
Main material:	A105、A350 LF2、LF3、A182 F304、F316、F321、F316L、F304L、F310、F51 and other special materials etc.
Suitable medium:	Water,Steam,Oil,Gas ,Petrochemicaland other medium;

Double Block and Bleed Valve DBB

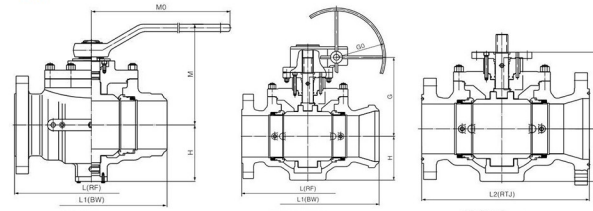


光杆带配盘
Bare Stem with Mounting Pad



Normal diameter DN(mm):	DN15-DN1200
Normal pressure(Mpa):	0.6MPa-42MPa
Suitable Temperature:	-196°C~550°C (Different raw material for different work Temperature)
Design Standard:	GB,API,ASME
Connection End:	Flanged,Butt-Welding
Operation:	Handle,Worm-gear,Pneumatic actuator, Electric actuator,Pneumatic-hydraulic drive,Electro-hydraulic drive;
Main material:	A105、A350 LF2、LF3、A182 F304、F316、F321、F316L、F304L、F310、F51 and other special materials etc.
USE:	It is mainly used for oil and natural gas storage and transportation. It is used as a starter and shutoff device to control the medium in chemical industry, metallurgy, papermaking, food, shipbuilding and other industrial fields. It can also be operated remotely when equipped with pneumatic or electric devices to ensure the personal safety of operators.
Test and Inspection:	API598 API6D ASME B16.34
Fire test:	API DFA/API 607

Top Entry Trunnion Mounted Ball Valve



手动操作, MA
Lever-Operated

蜗轮传动操作, GA
Worm Gear Operated

光杆带配盘, BSMP
Bare Stem with Mounting Pad

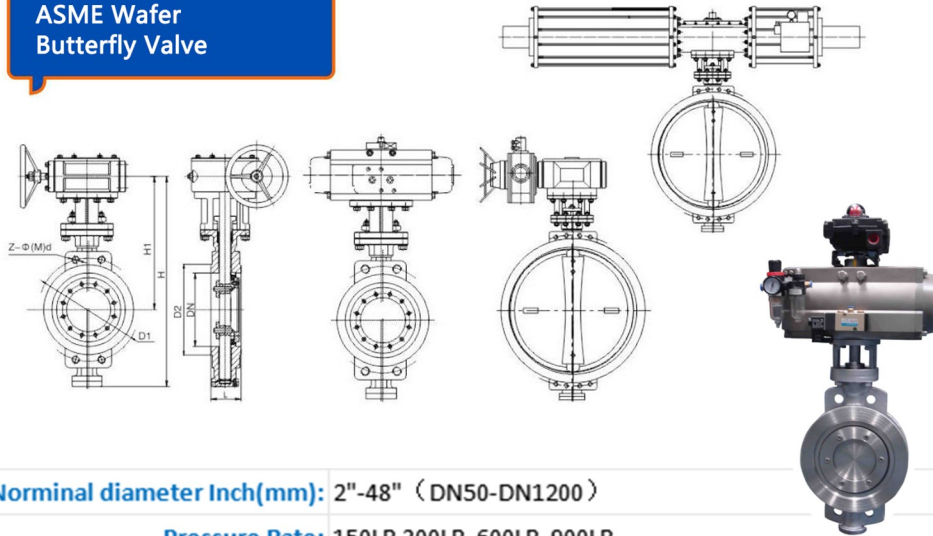


Normal diameter DN(mm):	DN40-DN1500
Normal pressure(Mpa):	0.6MPa-42MPa
Suitable Temperature:	-196°C~550°C (Different raw material for different work Temperature)
Design Standard:	GB,API,ASME
Connection End:	Flanged,Butt-Welding
Operation:	Handle,Worm-gear,Pneumatic actuator, Electric actuator,Pneumatic-hydraulic drive,Electro-hydraulic drive;
Main material:	A216 WCB、WCC、WC6、A351 CF8、CF8M、CF3、CF3M、A352 LCB、LCC、LC1、A105、A350 LF2、LF3、A182 F304、F316、F321、F316L、F304L、F310、F51 and other special materials etc.
USE:	It's mainly used for Oil and gas pipelines, oil production, refining, petrochemical, chemical industry, chemical fiber, metallurgy, electric power, nuclear power, food and paper making and other equipment
Test and Inspection:	JB/T 9092 GB/T 19672 API598 API6D ASME B16.34
Fire test:	API DFA/API 607

Butterfly Valve Series

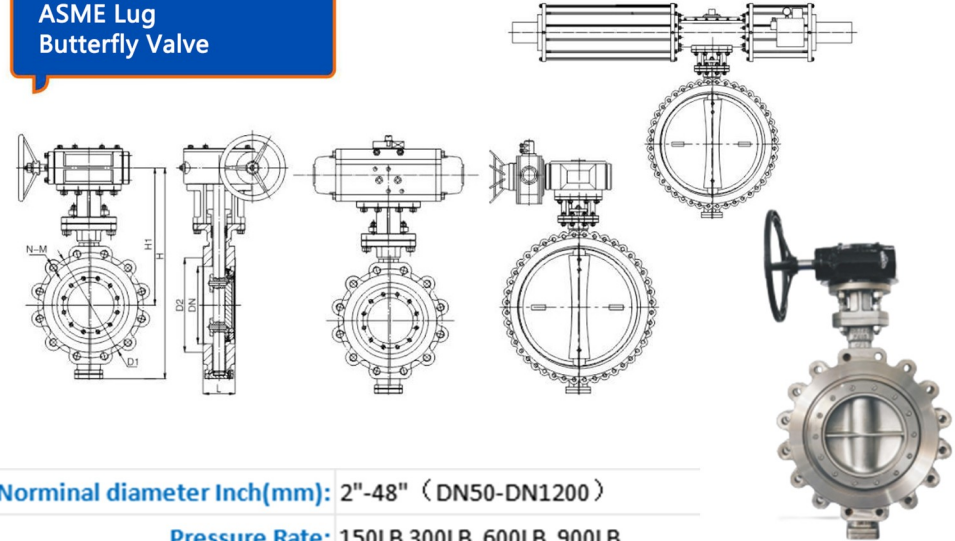


ASME Wafer
Butterfly Valve



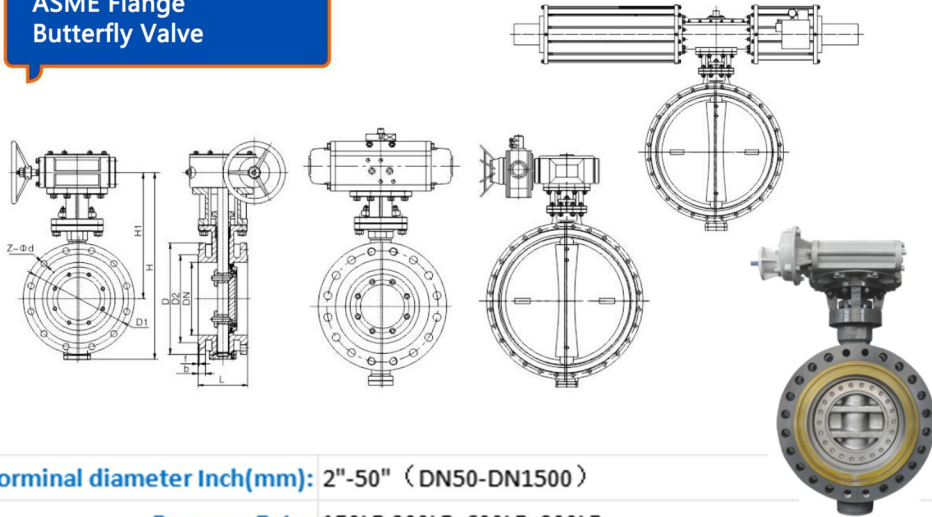
Norminal diameter Inch(mm):	2"-48" (DN50-DN1200)
Pressure Rate:	150LB 300LB 600LB 900LB
Suitable Temperature:	-196°C~550°C (Different raw material for different work Temperature)
Design Standard:	API 609
Test and Inspection Standard:	API 598
Fire Design	API 607
Connection End:	Wafer
Operation:	Handle,Worm-gear,Pneumatic actuator, Electric actuator,Pneumatic-hydraulic drive,Electro-hydraulic drive;
Main material:	A216 WCB、WCC、WC6、A351 CF8、CF8M、CF3、CF3M、A352 LCB、LCC、LC1 and other special materials etc.
Suitable medium:	Water, oil, gas and various corrosive media (different media use different materials)

ASME Lug
Butterfly Valve

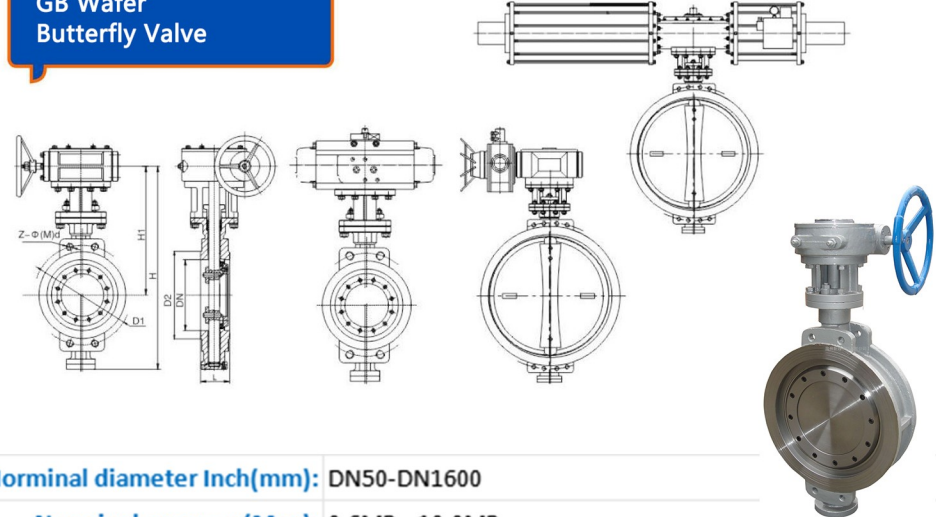


Norminal diameter Inch(mm):	2"-48" (DN50-DN1200)
Pressure Rate:	150LB 300LB 600LB 900LB
Suitable Temperature:	-196°C~550°C (Different raw material for different work Temperature)
Design Standard:	API 609
Test and Inspection Standard:	API 598
Fire Design	API 607
Connection End:	Lug
Operation:	Handle,Worm-gear,Pneumatic actuator, Electric
Main material:	A216 WCB、WCC、WC6、A351 CF8、CF8M、CF3、CF3M、A352 LCB、LCC、LC1 and other special materials etc.
Suitable medium:	Water, oil, gas and various corrosive media (different media use different materials)

ASME Flange
Butterfly Valve



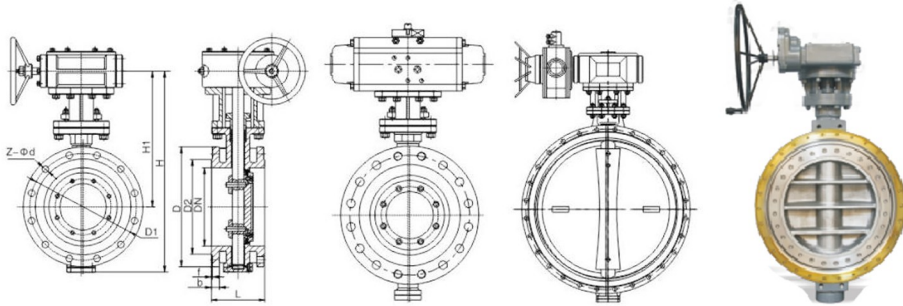
GB Wafer
Butterfly Valve



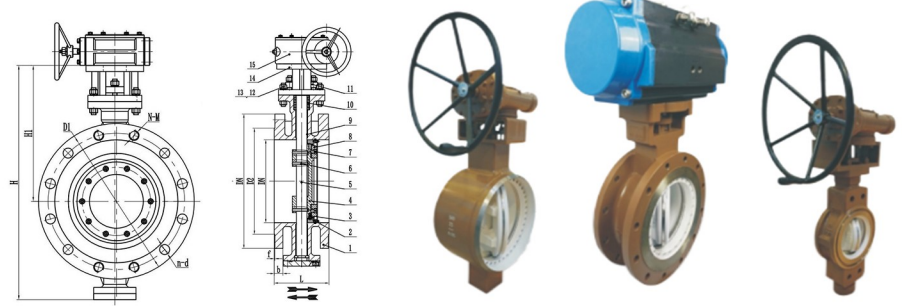
Normal diameter Inch(mm):	2"-50" (DN50-DN1500)
Pressure Rate:	150LB 300LB 600LB 900LB
Suitable Temperature:	-196°C~550°C (Different raw material for different work Temperature)
Design Standard:	API 609
Test and Inspection Standard:	API 598
Fire Design	API 607
Connection End:	Flanged
Operation:	Handle,Worm-gear,Pneumatic actuator, Electric actuator,Pneumatic-hydraulic drive,Electro-hydraulic drive;
Main material:	A216 WCB、WCC、WC6、A351 CF8、CF8M、CF3、CF3M、A352 LCB、LCC、LC1 and other special materials etc.
Suitable medium:	Water, oil, gas and various corrosive media (different media use different materials)

Normal diameter Inch(mm):	DN50-DN1600
Normal pressure(Mpa):	0.6MPa-10.0MPa
Suitable Temperature:	-196°C~550°C (Different raw material for different work Temperature)
Design Standard:	JB/T8527-97
Face to face Standard:	GB12221-2005
Test and Inspection Standard:	API 598
Connection End:	Wafer
Operation:	Handle,Worm-gear,Pneumatic actuator, Electric actuator,Pneumatic-hydraulic drive,Electro-hydraulic drive;
Main material:	A216 WCB、WCC、WC6、A351 CF8、CF8M、CF3、CF3M、A352 LCB、LCC、LC1 and other special materials etc.
Suitable medium:	Water, oil, gas and various corrosive media (different media use different materials)

GB Flange
Butterfly Valve



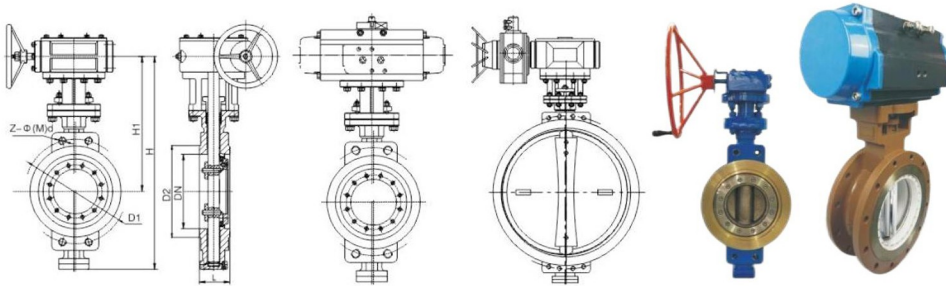
Bidirectional Metal
Seated Butterfly Valve



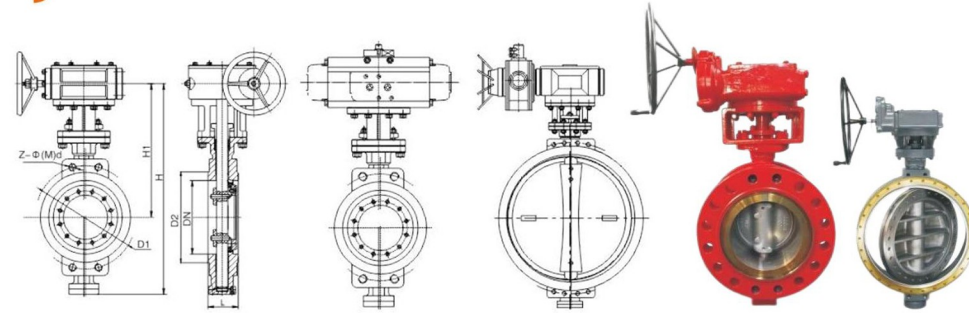
Normal diameter Inch(mm):	DN50-DN2000
Normal pressure(Mpa):	0.6MPa-10.0MPa
Suitable Temperature:	-196°C~550°C (Different raw material for different work Temperature)
Design Standard:	JB/T8527-97
Face to face Satndard:	GB12221-2005
Test and Inspection Standard:	API 598
Connection End:	Flanged
Operation:	Handle, Worm-gear, Pneumatic actuator, Electric actuator, Pneumatic-hydraulic drive, Electro-hydraulic drive;
Main material:	A216 WCB、WCC、WC6、A351 CF8、CF8M、CF3、CF3M、A352 LCB、LCC、LC1 and other special materials etc.
Suitable medium:	Water, oil, gas and various corrosive media (different media use different materials)

Normal diameter Inch(mm):	DN50-DN1200
Normal pressure(Mpa):	0.6MPa-4.0MPa
Suitable Temperature:	-196°C~550°C (Different raw material for different work Temperature)
Design Standard:	JB/T8527-97
Face to face Satndard:	GB12221-1989, API 609
Test and Inspection Standard:	API 598, GB/T13927-1992
Connection End:	Flanged, Wafer, Butt-welding .
Operation:	Worm-gear, Pneumatic actuator, Electric actuator.
Main material:	A216 WCB、WCC、WC6、A351 CF8、CF8M、CF3、CF3M、A352 LCB、LCC、LC1 and other special materials etc.
Suitable medium:	Flue gas, hot water, steam, gas, acid, alkali, oil, food, etc. (different media use different materials)
USE	Suitable for opening and closing or regulating media on high temperature, high pressure, fire prevention, thermal insulation and other pipelines.

DIN Butterfly Valve



GOST Butterfly Valve



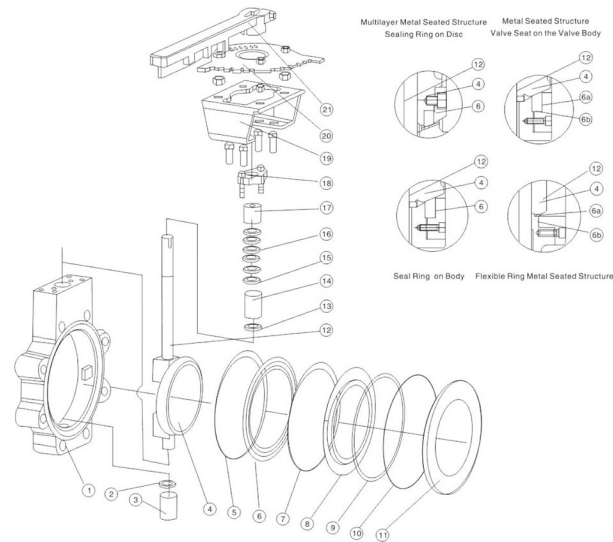
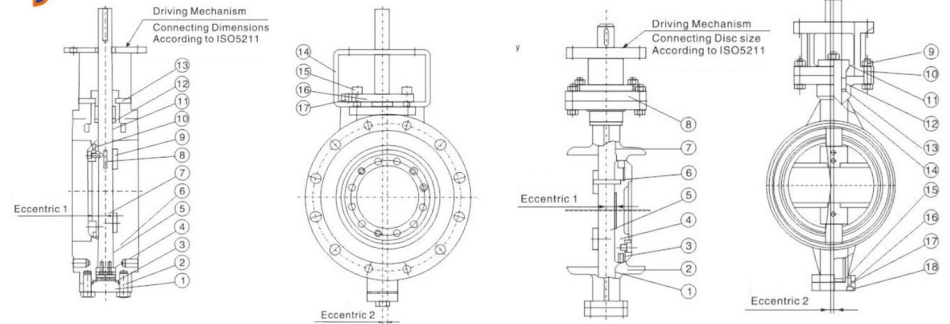
Normal diameter Inch(mm):	DN50-DN2000	Normal diameter Inch(mm):	DN50-DN2000
Normal pressure(Mpa):	0.6MPa-10.0MPa	Normal pressure(Mpa):	0.6MPa-10.0MPa
Suitable Temperature:	-196°C~550°C (Different raw material for different work Temperature)	Suitable Temperature:	-196°C~550°C (Different raw material for different work Temperature)
Design Standard:	JB/T8527-97	Design Standard:	JB/T8527-97
Face to face Standard:	GB12221-2005	Face to face Standard:	GB12221-2005
Test and Inspection Standard:	API 598	Test and Inspection Standard:	API 598
Connection End:	Wafer, Flanged	Connection End:	Wafer, Flanged
Operation:	Handle, Worm-gear, Pneumatic actuator, Electric actuator, Pneumatic-hydraulic drive, Electro-hydraulic drive;	Operation:	Handle, Worm-gear, Pneumatic actuator, Electric actuator, Pneumatic-hydraulic drive, Electro-hydraulic drive;
Main material:	A216 WCB、WCC、WC6、A351 CF8、CF8M、CF3、CF3M、A352 LCB、LCC、LC1 and other special materials etc.	Main material:	A216 WCB、WCC、WC6、A351 CF8、CF8M、CF3、CF3M、A352 LCB、LCC、LC1 and other special materials etc.
Suitable medium:	Water, oil, gas and various corrosive media (different media use different materials)	Suitable medium:	Water, oil, gas and various corrosive media (different media use different materials)

Product characteristics:

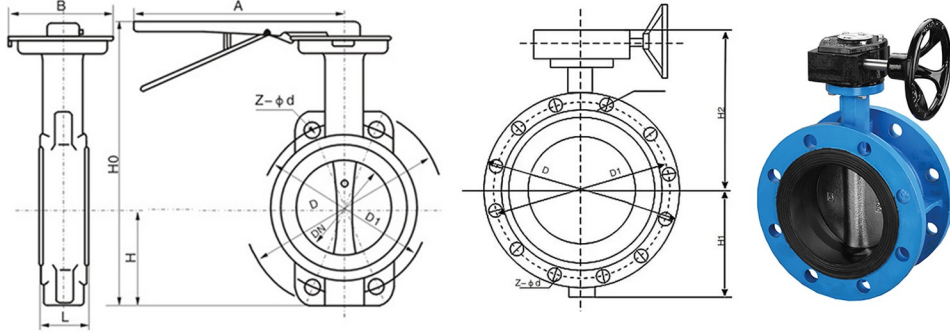
- 1.High-performance butterfly valve has lighter torque.
- 2.Good fire resistance. The hard-sealed structure has essential fire protection capabilities.
- 3.Zero leakage in both directions.
- 4.Easy to maintain. The valve seat can be replaced without disassembling the butterfly plate and valve stem.
- 5.The double eccentric structure reduces sealing friction caused by frequent opening.

Norminal diameter Inch(mm):	DN50-DN800
Norminal pressure(Mpa):	0.6MPa-2.5MPa
Suitable Temperature:	-46°C~550°C (Different raw material for different work Temperature)
Fire Design Standard:	API 607
Structure Type:	single eccentric, double eccentric
Connection End:	Wafer, Flanged, Lug
Main material:	Cast steel, stainless steel, Monel and other special materials etc.
Soft seal structure valve seat material:	TFE, PTFE, RTFE.
Hard-sealing structure valve seat material:	Stainless steel or other materials
Operation:	Worm-gear, Pneumatic actuator, Electric actuator.
Suitable medium:	Flue gas, hot water, steam, gas, acid, alkali, oil, food, etc (different media use different materials)
Test and Inspection Standard:	API 598, GB/T13927-1992
USE:	Suitable for opening and closing or regulating media on high temperature, high pressure, fire prevention, thermal insulation and other pipelines.

High Performance Butterfly Valve



**Centerline
Butterfly Valve**



Model: D371X,D71X,D971X,D3671X,LTD71X,D371F,D71F,D071F

Normal diameter Inch(mm): DN50-DN1400

Normal pressure(Mpa): 1.0MPa-1.6MPa

Suitable Temperature: -46°C~150°C (Different raw material for different work Temperature)

Design Standard: GB、ANSI、JIS

Connection End: Wafer, Flanged, Lug

Operation: Handle, Worm-gear, Pneumatic actuator, Electric actuator

Main material: CI、DI、A216 WCB、A351 CF8、CF8M、CF3、CF3M、A352 LCB、LCC、LC1 and other special materials etc.

Suitable medium: Water, wastewater, oil, and corrosive media (different media use different materials)

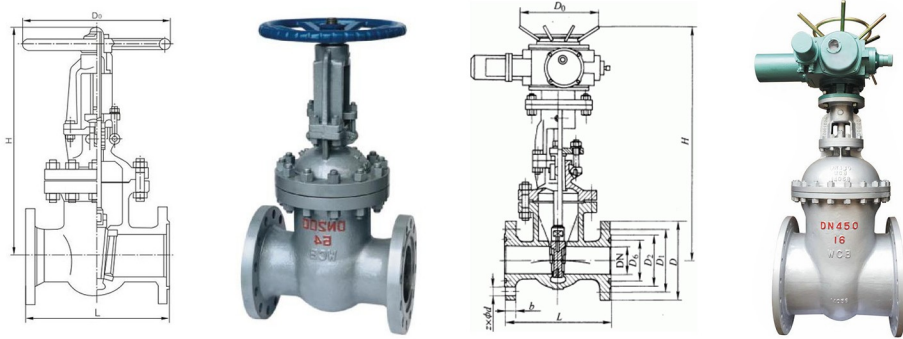
USE: Used in sewage treatment, ships, urban water supply and drainage, electric power, petroleum, chemical industry, heating, medicine, papermaking and other fields.



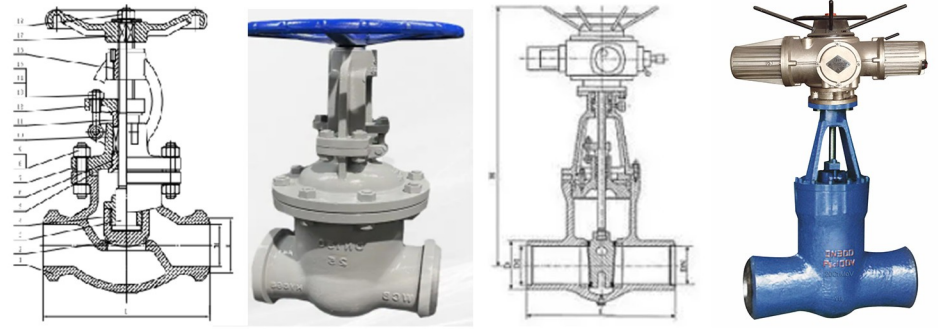
Gate Valve Series



GB Casting Gate Valve



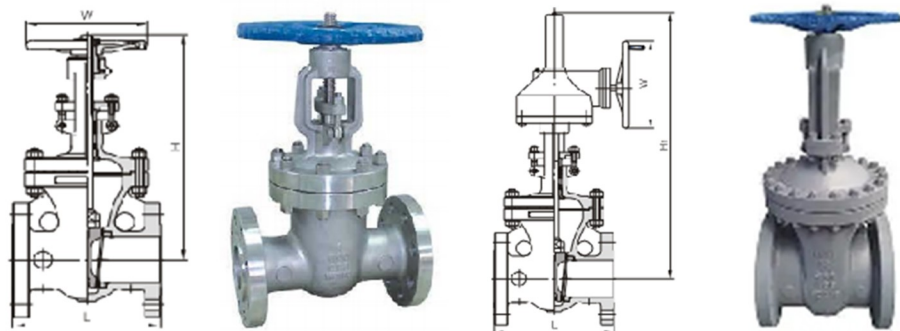
GB Casting Gate Valve



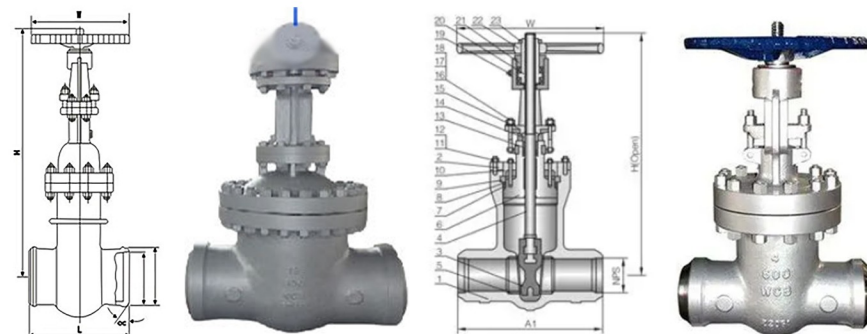
Normal diameter Inch(mm):	DN15-DN600
Normal pressure(Mpa):	1.6MPa-16MPa
Suitable Temperature:	-46°C~550°C (Different raw material for different work Temperature)
Design Standard:	GB 12234-2007
Face to face:	GB 12221-2005
Test and Inspection Standard:	JB/T79-2000
Connection End:	Flanged ;
Operation:	Handwheel、Worm-gear、Pneumatic actuator、Electric actuator ;
Main material:	A216 WCB、WCC、WC6、A351 CF8、CF8M、CF3、CF3M、A352 LCB、LCC、LC1 and other special materials etc.
Suitable medium:	Water、oil、gas and various corrosive media (different media use different materials)

Normal diameter Inch(mm):	DN15-DN600
Normal pressure(Mpa):	1.6MPa-16MPa
Suitable Temperature:	-46°C~550°C (Different raw material for different work Temperature)
Design Standard:	GB 12234-2007
Face to face:	GB 12221-2005
Test and Inspection Standard:	JB/T79-2000
Connection End:	Butt-welding
Operation:	Handwheel、Worm-gear、Pneumatic actuator、Electric actuator ;
Main material:	A216 WCB、WCC、WC6、A351 CF8、CF8M、CF3、CF3M、A352 LCB、LCC、LC1 and other special materials etc.
Suitable medium:	Water、oil、gas and various corrosive media (different media use different materials)

API Casting Gate Valve



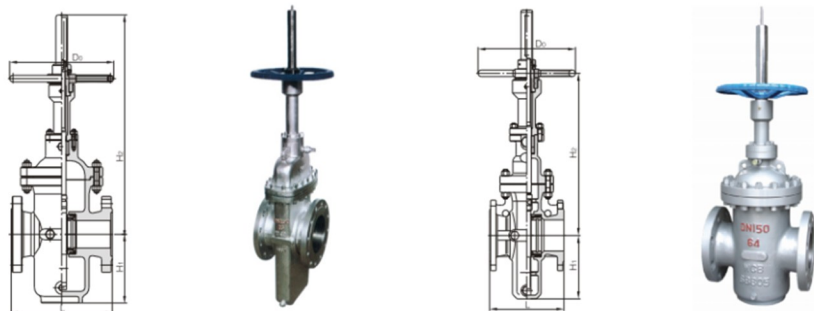
API Casting Gate Valve



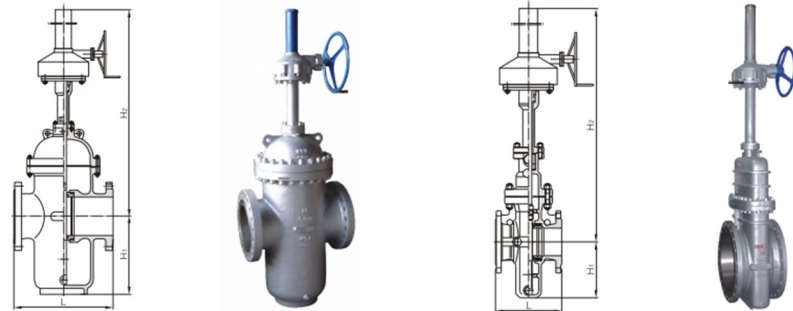
Normal diameter Inch(mm):	2"-48" (DN50-DN1200)
Pressure Rate:	150LB 300LB 600LB 900LB 1500LB 2500LB
Suitable Temperature:	-46°C~550°C (Different raw material for different work Temperature)
Design Standard:	API 600 API603
Test and Inspection Standard:	API 598
Connection End:	Flanged ;
Operation:	Handwheel、Worm-gear、Pneumatic actuator、Electric actuator ;
Main material:	A216 WCB、WCC、WC6、A351 CF8、CF8M、CF3、CF3M、A352 LCB、LCC、LC1 and other special materials etc.
Suitable medium:	Water、oil、gas and various corrosive media (different media use different materials)

Normal diameter Inch(mm):	2"-48" (DN50-DN1200)
Pressure Rate:	150LB 300LB 600LB 900LB 1500LB 2500LB
Suitable Temperature:	-46°C~550°C (Different raw material for different work Temperature)
Design Standard:	API 600 API603
Test and Inspection Standard:	API 598
Connection End:	Butt-welding
Operation:	Handwheel、Worm-gear、Pneumatic actuator、Electric actuator ;
Main material:	A216 WCB、WCC、WC6、A351 CF8、CF8M、CF3、CF3M、A352 LCB、LCC、LC1 and other special materials etc.
Suitable medium:	Water、oil、gas and various corrosive media (different media use different materials)

Manual Flat Gate Valve



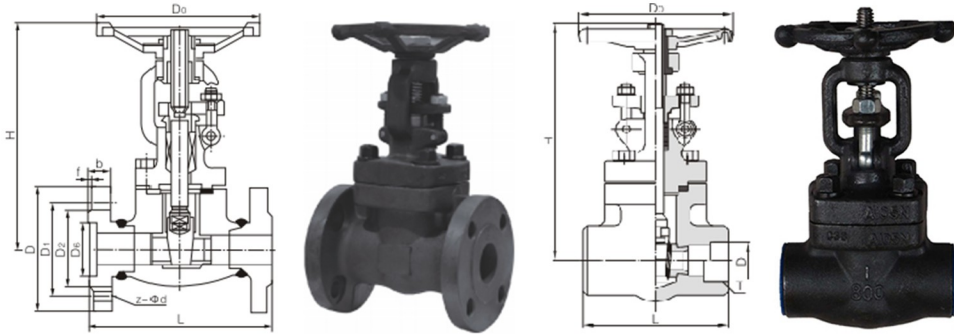
Flat Gate Valve



Product Model:	(K)Z543WF、(K)Z543WY、(K)Z543WD、(K)Z543WbF、 (K)Z543WbY
Normal diameter Inch(mm):	DN50-DN1000
Normal pressure(Mpa):	1.0MPa-16MPa、150LB-900LB
Suitable Temperature:	-46°C~550°C (Different raw material for different work Temperature)
Design Standard:	API 6D
Test and Inspection Standard:	GB/T13927
Connection End:	Flanged
Operation:	Handwheel、Reducer
Main material:	A216 WCB、WCC、WC6、A351 CF8、CF8M、CF3、CF3M、 A352 LCB、LCC、LC1 and other special materials etc.
Suitable medium:	Oil、natural gas、water、etc. Containing H2S and CO2 >500 mg/m2 corrosive media (different media use different materials)
Diversion hole:	With、Without

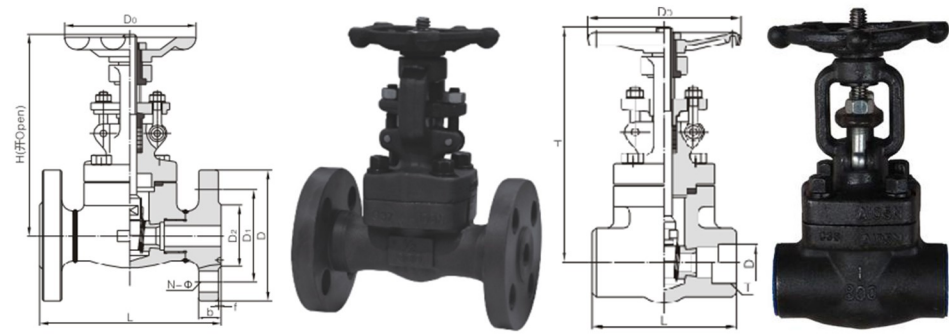
Product Model:	(K)Z543WF、(K)Z543WY、(K)Z543WD、(K)Z543WbF、 (K)Z543WbY
Normal diameter Inch(mm):	DN50-DN1000
Normal pressure(Mpa):	1.0MPa-16MPa、150LB-900LB
Suitable Temperature:	-46°C~550°C (Different raw material for different work Temperature)
Design Standard:	API 6D
Test and Inspection Standard:	GB/T13927
Connection End:	Flanged
Operation:	Handwheel、Reducer
Main material:	A216 WCB、WCC、WC6、A351 CF8、CF8M、CF3、CF3M、 A352 LCB、LCC、LC1 and other special materials etc.
Suitable medium:	Oil、natural gas、water、etc. Containing H2S and CO2 >500 mg/m2 corrosive media (different media use different materials)
Diversion hole:	With、Without

GB Forged Steel Gate Valve



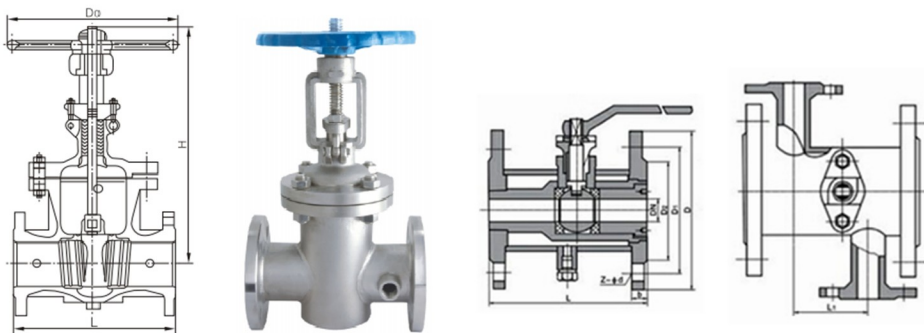
Normal diameter Inch(mm):	DN10-DN50
Normal pressure(Mpa):	1.6Mpa-16.0MPa
Suitable Temperature:	-29°C~500°C (Different raw material for different work Temperature)
Design Standard:	GB12234-2007
Face to face:	GB12221
Test and Inspection Standard:	API 598
Connection End:	Flanged,Thread,Butt-welding
Operation:	Handwheel、Worm-gear、Pneumatic actuator、Electric actuator ;
Main material:	A105、F5、F11、F22、304、304L、316、316L、LF2 and other special materials etc.
Suitable medium:	Water、oil、gas and various corrosive media (different media use different materials)

API Forged Steel Gate Valve



Normal diameter Inch(mm):	1/2"-2"
Normal pressure(Mpa):	150LB-1500LB
Suitable Temperature:	-29°C~500°C (Different raw material for different work Temperature)
Design Standard:	ANSI B16.10;API600;API602;
Face to face:	ANSI B16.10
Test and Inspection Standard:	API 598
Connection End:	Flanged,Female screw,Butt-welding
Operation:	Handwheel、Worm-gear、Pneumatic actuator、Electric actuator ;
Main material:	A105、F5、F11、F22、304、304L、316、316L、LF2and other special materials etc.
Suitable medium:	Water、oil、gas and various corrosive media (different media use different materials)

Jacket Gate Valve



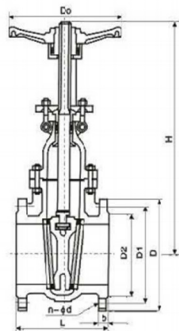
Low-temperature Gate Valve



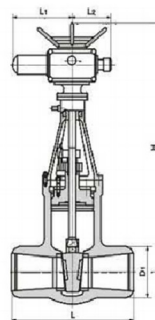
Normal diameter Inch(mm):	DN40-DN300
Normal pressure(Mpa):	1.6Mpa-4.0MPa
Suitable Temperature:	+200°C~425°C (Different raw material for different work Temperature)
Design Standard:	GB 12234-2007
Face to face:	GB 12221-2005
Test and Inspection Standard:	JB/T9092-1999
Connection End:	JB/T79-2005
Operation:	Handwheel
Main material:	A216 WCB、WC9、WC6、A351 CF8、CF8M、CF3、CF3M、A352 LCB、LCC、LC1 and other special materials etc.
Suitable medium:	Water, steam, oil and other corrosive media, etc.(different media use different materials)

Normal diameter Inch(mm):	DN50-500
Normal pressure(Mpa):	150LB 300LB 600LB,10K-20k
Suitable Temperature:	-196°C~550°C (Different raw material for different work Temperature)
Design Standard:	API 600、API 6D、JIS B2073、JIS B2083
Face to face:	ASME B16.10 JIS B2002
Test and Inspection Standard:	API 6D、API 598、API 600、JIS B2003
Connection End:	Flanged
Operation:	Handwheel、Worm-gear、Pneumatic actuator、Electric
Main material:	LCB、LC1、CF8、CF8M、CF3、CF3M and other special materials etc.
Suitable medium:	Water、oil、gas and various corrosive media (different media use different materials)

JIS Gate Valve



High-temperature & High-pressure Gate Valve



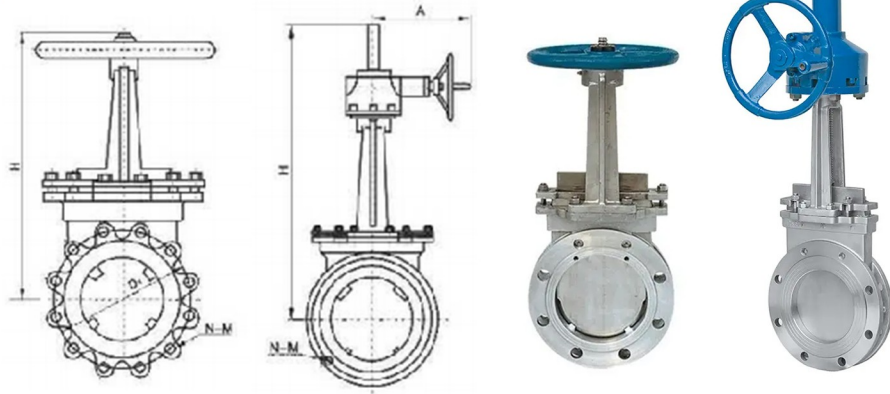
Norminal diameter:	50A-500A
Rating:	5K、10K、20K
Suitable Temperature:	-29°C~425°C (Different raw material for different work Temperature)
Design Standard:	JIS B2073 B2083
Face to face:	JIS B2002
Test and Inspection Standard:	JIS B2003
Connection End:	JIS B2212 B2214
Operation:	Handwheel、Worm-gear、Pneumatic actuator、Electric actuator ;
Main material:	Stainless steel SCS13、SCS14.
Suitable medium:	Water、oil、gas and various corrosive media (different media use different materials)

Product Model :	Z960Y-250; Z960Y-320
Norminal diameter:	DN100-DN300
Norminal pressure(Mpa):	25Mpa-32Mpa
Suitable Temperature:	≤425°C; ≤540°C (Different raw material for different
Design Standard:	JB/T7746
Face to face:	JB/T7746
Test and Inspection Standard:	JB/T9092
Connection End:	Butt-welding
Operation:	Electric actuator ;
Main material:	A216 WCB、WC9、WC6、A351 CF8、CF8M、CF3、CF3M and other special materials etc.
Suitable medium:	Water, steam etc.(different media use different materials)

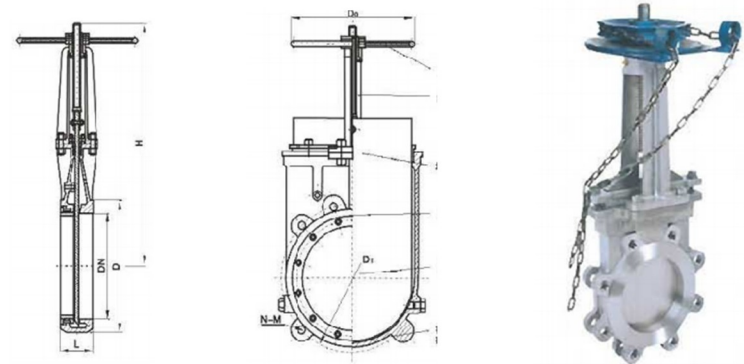
Knife Gate Valve Series



Manual Knife Gate Valve



Knife Type Slag Valve



Product Model: PZ43X/F/H-10/16

Normal diameter Inch(mm): DN50-DN1200

Normal pressure(Mpa): 1.0MPa-1.6MPa

Suitable Temperature: ≤100°C; ≤425°C (Different raw material for different work Temperature)

Connection End: Flanged , Wafer,Lug

Body material: DI、WCB、SS304、SS304L、SS316、SS316L and other special materials etc.

Plate Material: SS201、SS304、SS316

Sealing Material: NR,NBR,EPDM,PTFE,Stainless steel,carbide alloy etc.

Operation: Handwheel、Reducer

Suitable medium: Pulp, sewage, coal slurry, ash, residue water mixture etc.

Product Model: PZ73X/F/H-10/16

Normal diameter Inch(mm): DN50-DN1200

Normal pressure(Mpa): 1.0MPa-1.6MPa

Suitable Temperature: ≤100°C; ≤425°C (Different raw material for different work Temperature)

Connection End: Wafer,Lug

Body material: DI、WCB、SS304、SS304L、SS316、SS316L and other special materials etc.

Plate Material: SS201、SS304、SS316

Sealing Material: NR,NBR,EPDM,PTFE,Stainless steel,carbide alloy etc.

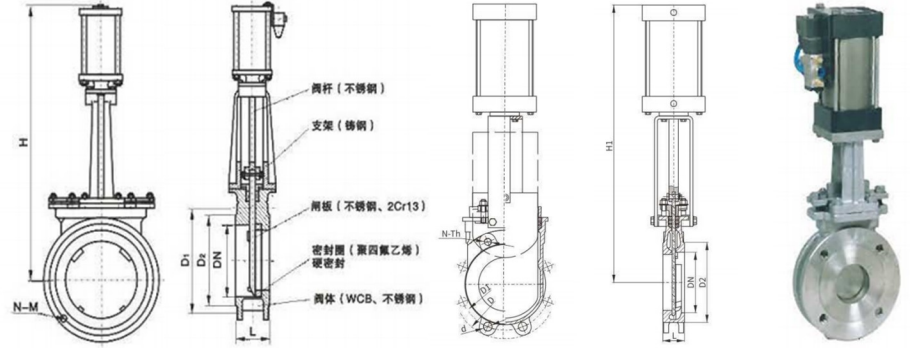
Operation: Handwheel、Reducer

Suitable medium: Slag, pulp, sewage, cinder, ash, mud, oil, etc.

Manual Knife Gate Valve



Pneumatic Knife Gate Valve



Product Model: PZ43X/F/H-10/16

Normal diameter Inch(mm): DN50-DN1200

Normal pressure(Mpa): 1.0MPa-1.6MPa

Suitable Temperature: ≤100°C; ≤425°C (Different raw material for different work Temperature)

Connection End: Flanged, Wafer, Lug

Body material: DI, WCB, SS304, SS304L, SS316, SS316L and other special materials etc.

Plate Material: SS201, SS304, SS316

Sealing Material: NR, NBR, EPDM, PTFE, Stainless steel, carbide alloy etc.

Operation: Handwheel, Reducer

Suitable medium: Pulp, sewage, coal slurry, ash, residue water mixture etc.

Product Model: PZ673X/F/H-10/16

Normal diameter Inch(mm): DN50-DN600

Normal pressure(Mpa): 1.0MPa-1.6MPa

Suitable Temperature: ≤100°C; ≤425°C (Different raw material for different work Temperature)

Connection End: Flanged, Wafer, Lug

Body material: DI, WCB, SS304, SS304L, SS316, SS316L and other special materials etc.

Plate Material: SS201, SS304, SS316

Sealing Material: NR, NBR, EPDM, PTFE, Stainless steel, carbide alloy etc.

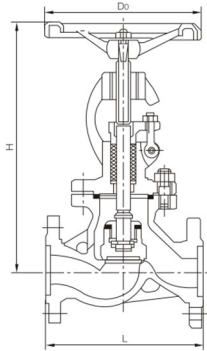
Operation: Handwheel, Reducer

Suitable medium: Pulp, sewage, coal slurry, ash, residue water mixture etc.

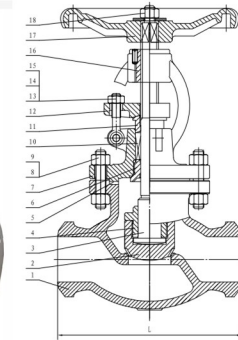
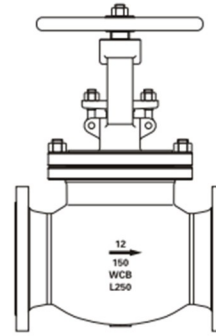
Globe Valve Series



GB Globe Valve



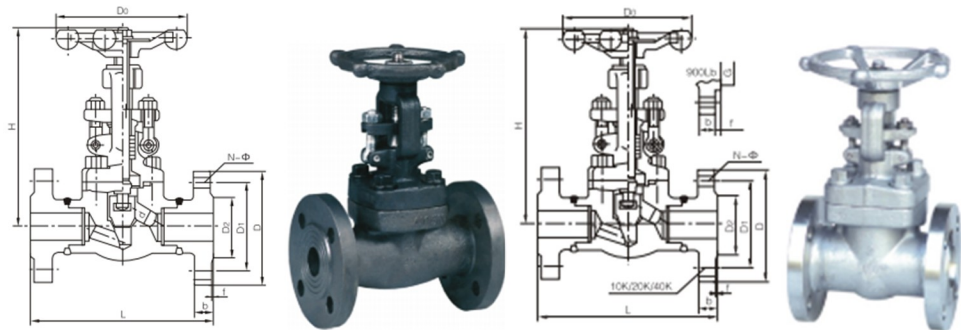
ANSI Cast Steel Globe Valve



Normal diameter Inch(mm):	DN15-DN400
Pressure Rate:	0MPa-6MPa
Suitable Temperature:	-46°C~550°C (Different raw material for different work Temperature)
Design Standard:	GB 12235-2007
Face to face:	GB 12221-2005
Test and Inspection Standard:	GB 13927
Connection End:	Flanged, Butt-welding
Operation:	Handwheel, Reducer, Electric actuator;
Main material:	A216 WCB、WCC、WC6、A351 CF8、CF8M、CF3、CF3M、A352 LCB、LCC、LC1 and other special materials etc.
Suitable medium:	Water, oil, gas and various corrosive media (different media use different materials)

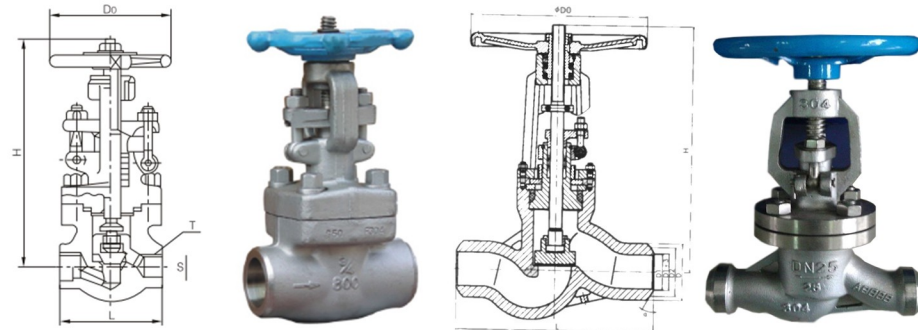
Normal diameter Inch(mm):	DN40-DN600
Pressure Rate:	150LB 300LB 600LB 900LB 1500LB
Suitable Temperature:	-46°C~550°C (Different raw material for different work Temperature)
Design Standard:	BS 1873 ASME B16.34
Face to face:	ASME B16.10
Test and Inspection Standard:	API598
Connection End:	Flanged, Butt-welding
Operation:	Handwheel, Reducer, Electric actuator;
Main material:	A216 WCB、WCC、WC6、A351 CF8、CF8M、CF3、CF3M、A352 LCB、LCC、LC1 and other special materials etc.
Suitable medium:	Water, oil, gas and various corrosive media (different media use different materials)

Forged Steel Flange
Globe Valve



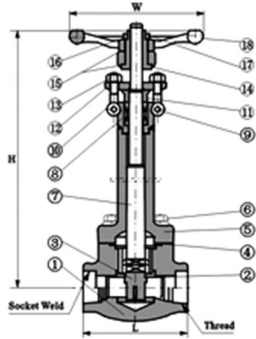
Normal diameter Inch(mm):	1/2-2"
Pressure Rate:	150LB 300LB 600LB 900LB 1500LB
Suitable Temperature:	-196°C~550°C (Different raw material for different work Temperature)
Design Standard:	API STD.600
Face to face:	ANSI B16.10
Test and Inspection Standard:	API STD.598
Connection End:	Flanged
Operation:	Handwheel, Reducer, Electric actuator;
Main material:	A105、F5、F11、F22、304、304L、316、316L、LF2 and other special materials etc.
Suitable medium:	Water, oil, gas and various corrosive media (different media use different materials)

Forged Steel
Globe Valve

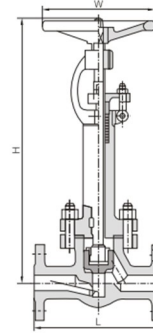


Normal diameter Inch(mm):	DN40-DN600
Pressure Rate:	150LB 800LB 900LB 1500LB
Suitable Temperature:	-46°C~550°C (Different raw material for different work Temperature)
Design Standard:	ANSI B16.34
Face to face:	ASME B16.10
Test and Inspection Standard:	API598
Connection End:	Thread, butt-welding
Operation:	Handwheel, Reducer, Electric actuator;
Main material:	A105、F5、F11、F22、304、304L、316、316L、LF2 and other special materials etc.
Suitable medium:	Water, oil, gas and various corrosive media (different media use different materials)

Forged Steel Low Temperature Globe Valve



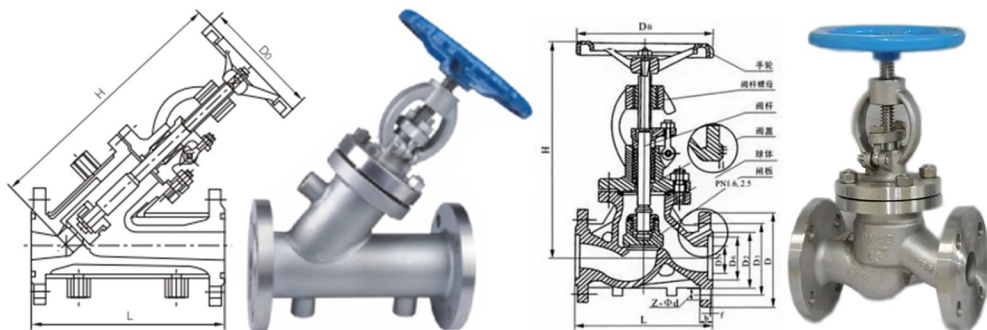
Low Temperature Flange Globe Valve



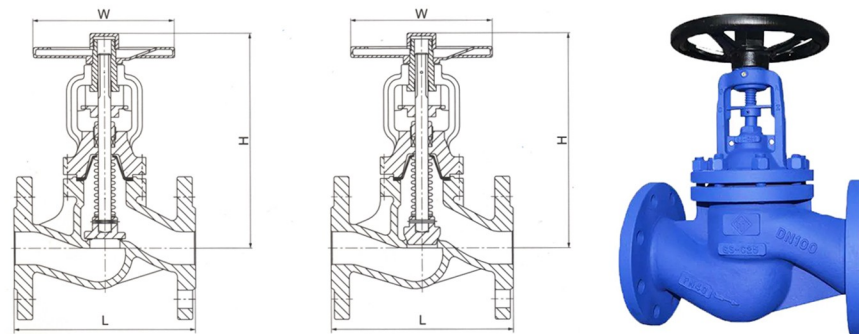
Normal diameter Inch(mm):	1/2-2"
Pressure Rate:	150LB 300LB 600LB
Suitable Temperature:	-196°C~550°C (Different raw material for different work Temperature)
Design Standard:	ANSI B16.34;API 602
Face to face:	ANSI B16.10
Test and Inspection Standard:	API 598;JB/T 7749-95
Connection End:	Thread
Operation:	Handwheel,Reducer,Electric actuator;
Main material:	A105、F5、F11、F22、304、304L、316、316L、LF2 and other special materials etc.
Suitable medium:	Water, oil, gas and various corrosive media (different media use different materials)

Normal diameter Inch(mm):	DN15-DN300
Pressure Rate:	150LB 300LB 600LB
Suitable Temperature:	-196°C~550°C (Different raw material for different work Temperature)
Design Standard:	BS 1873、JIS B2071、JIS B2081
Face to face:	ASME B16.10、JIS B2002
Test and Inspection Standard:	API 598、BS 6755、JIS B2003
Connection End:	Flanged
Operation:	Handwheel,Reducer,Electric actuator;
Main material:	LCB、CF8、CF8M、CF3、CF3M
Suitable medium:	Water, oil, gas and various corrosive media (different media use different materials)

Jacket Globe Valve



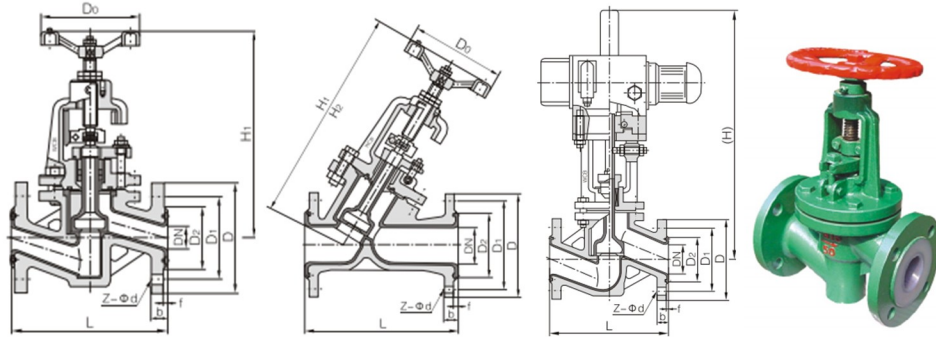
DIN Bellow
Globe Valve



Normal diameter Inch(mm):	DN15-DN200
Pressure Rate:	1.6MPa-4.0MPa
Suitable Temperature:	-29°C~425°C (Different raw material for different work Temperature)
Design Standard:	GB 12235-2007
Face to face:	GB 12221-2005
Test and Inspection Standard:	GB 13927
Connection End:	Flanged
Operation:	Handwheel, Reducer, Electric actuator;
Main material:	A216 WCB、WCC、WC6、A351 CF8、CF8M、CF3、CF3M、A352 LCB、LCC、LC1 and other special materials etc.
Suitable medium:	Water, oil, gas and various corrosive media (different media use different materials)

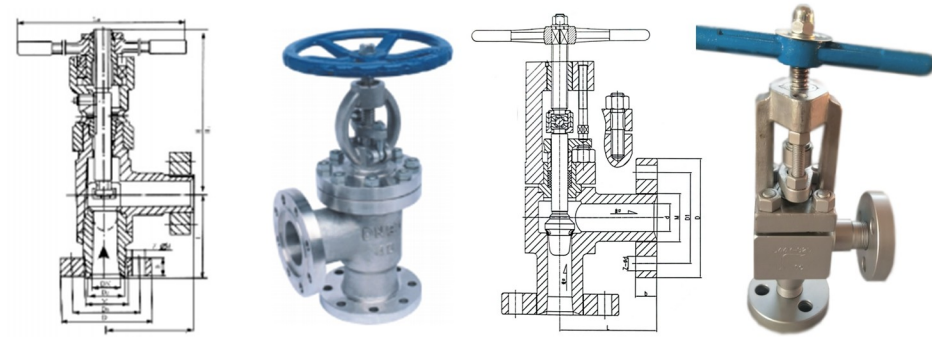
Normal diameter Inch(mm):	DN15-DN200
Pressure Rate:	1.6MPa-4.0MPa
Suitable Temperature:	-29°C~425°C (Different raw material for different work Temperature)
Design Standard:	DIN3356
Face to face:	DIN3202
Test and Inspection Standard:	DIN3230
Connection End:	Flanged
Operation:	Handwheel, Reducer, Electric actuator;
Main material:	A216 WCB、WCC、WC6、A351 CF8、CF8M、CF3、CF3M、A352 LCB、LCC、LC1 and other special materials etc.
Suitable medium:	Water, oil, gas and various corrosive media (different media use different materials)

Teflon Lined
Globe Valve



Normal diameter Inch(mm):	DN15-DN350
Pressure Rate:	0.6MPa-2.5MPa
Suitable Temperature:	-29°C~425°C (Different raw material for different work Temperature)
Design Standard:	GB 12237
Face to face:	GB 12221
Test and Inspection Standard:	GB/T 13927
Connection End:	Flanged
Operation:	Handwheel, Reducer, Electric actuator;
Main material:	A216 WCB、WCC、WC6、A351 CF8、CF8M、CF3、CF3M、A352 LCB、LCC、LC1 and other special materials etc.
Suitable medium:	Water, oil, gas and various corrosive media (different media use different materials)

Angle Type Globe Valve
Throttle Valve Series



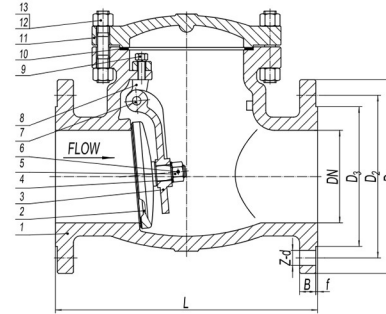
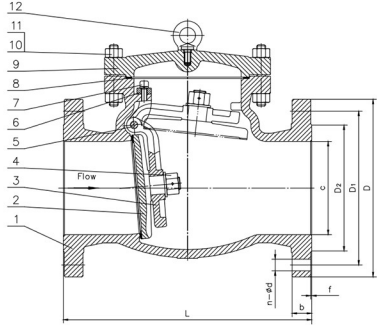
Product name:	Z/J/L44Y-160C/320C
Normal diameter Inch(mm):	DN10-DN200
Pressure Rate:	16MPa-32MPa
Suitable Temperature:	200°C~550°C (Different raw material for different work
Design Standard:	JB/T450-92
Test and Inspection Standard:	JB/T450-92
Connection End:	Flanged
Operation:	Handwheel, Reducer, Electric actuator;
Main material:	Carbon steel, etc.
Suitable medium:	Ammonia gas, liquid ammonia, lye, etc.(different media use different materials)

Check Valve Series



GB Swing Check Valve

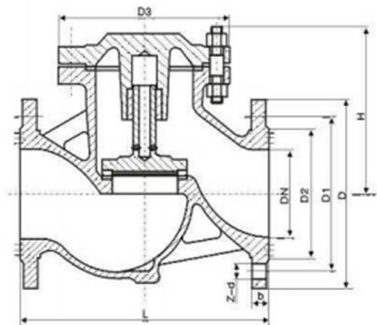
ANSI Swing Check Valve



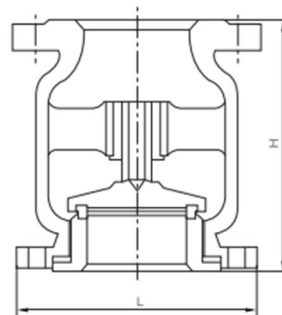
Normal diameter Inch(mm):	DN20-DN500
Pressure Rate:	1.6MPa-16MPa
Suitable Temperature:	-46°C~570°C (Different raw material for different work Temperature)
Design Standard:	12236-2008
Face to face:	GB 12221-2005
Test and Inspection Standard:	API 598
Connection End:	Flanged、Butt-welding
Main material:	A216 WCB、WCC、WC6、WC9、A351 CF8、CF8M、C、CF3M、A352 LCB、LCC、LC1 and other special materials etc.
Suitable medium:	Water, oil, gas and various corrosive media (different media use different materials)

Normal diameter Inch(mm):	DN40-DN900
Pressure Rate:	150LB 300LB 600LB 900LB 1500LB 2500LB
Suitable Temperature:	-46°C~570°C (Different raw material for different work Temperature)
Design Standard:	BS1868,ASME B16.34
Face to face:	ASME B16.10
Test and Inspection Standard:	API 598
Connection End:	Flanged、Butt-welding
Main material:	A216 WCB、WCC、WC6、WC9、A351 CF8、CF8M、CF3、CF3M、A352 LCB、LCC、LC1 and other special materials etc.
Suitable medium:	Water, oil, gas and various corrosive media (different media use different materials)

H41 Type Lift
Check Valve



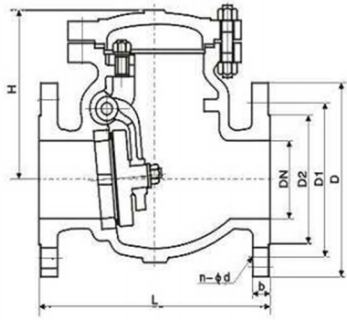
H42 Type Lift
Check Valve



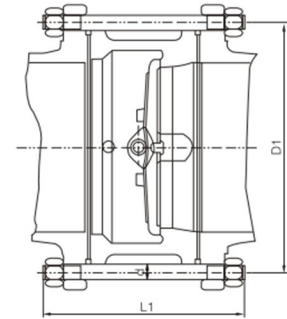
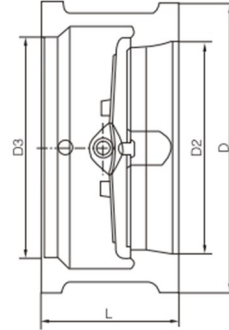
Normal diameter Inch(mm):	DN15-DN400
Pressure Rate:	1.6MPa-6.4MPa
Suitable Temperature:	-46°C~570°C (Different raw material for different work Temperature)
Design Standard:	12236-2008
Face to face:	GB 12221-2005
Test and Inspection Standard:	API 598
Connection End:	Flanged,Butt-Welding,Thread etc.
Main material:	A216 WCB、WCC、WC6、WC9、A351 CF8、CF8M、CF3、CF3M、A352 LCB、LCC、LC1 and other special materials etc.
Suitable medium:	Water, oil, gas and various corrosive media (different media use different materials)

Normal diameter Inch(mm):	DN15-DN400
Pressure Rate:	1.6MPa-4.0MPa
Suitable Temperature:	-46°C~570°C (Different raw material for different work Temperature)
Design Standard:	12236-2008
Face to face:	GB 12221-2005
Test and Inspection Standard:	API 598
Connection End:	Flanged
Main material:	A216 WCB、WCC、WC6、WC9、A351 CF8、CF8M、CF3、CF3M、A352 LCB、LCC、LC1 and other special materials etc.
Suitable medium:	Water, oil, gas and various corrosive media (different media use different materials)

JIS Swing Check Valve

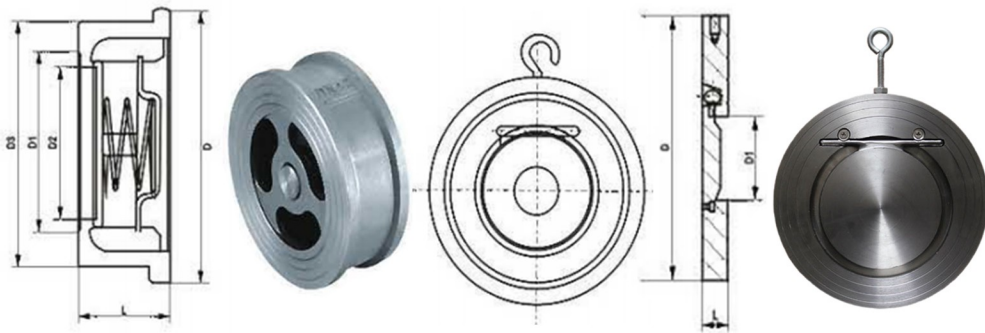


Double-plate Type Check Valve

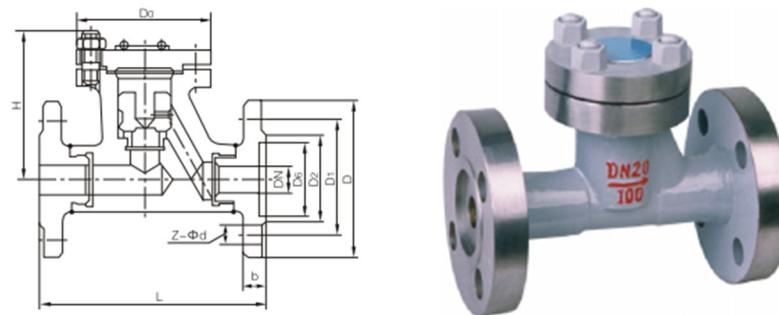


Normal diameter Inch(mm):	15A-450A	Normal diameter Inch(mm):	DN50-DN1200
Pressure Rate:	10K、20K	Pressure Rate:	1.0MPa-42.0MPa、150LB-2500LB
Suitable Temperature:	-46°C~570°C (Different raw material for different work Temperature)	Suitable Temperature:	-196°C~540°C (Different raw material for different work Temperature)
Design Standard:	JIS B2074 B2084	Design Standard:	JB/T 9873
Face to face:	JIS B2002	Face to face:	HG/T 20592
Test and Inspection Standard:	JIS B2003	Test and Inspection Standard:	GB/T 26480
Connection End:	Flanged,Butt-Welding,Thread etc.	Connection End:	Flanged,Butt-Welding,Thread etc.
Main material:	A216 WCB、WCC、WC6、WC9、A351 CF8、CF8M、CF3、CF3M、A352 LCB、LCC、LC1 and other special materials etc.	Main material:	A216 WCB、WCC、WC6、WC9、A351 CF8、CF8M、CF3、CF3M、A352 LCB、LCC、LC1 and other special materials etc.
Suitable medium:	Water, oil, gas and various corrosive media (different media use different materials)	Suitable medium:	Water, oil, gas and various corrosive media (different media use different materials)

H71/H74 Wafer Type
Check Valve



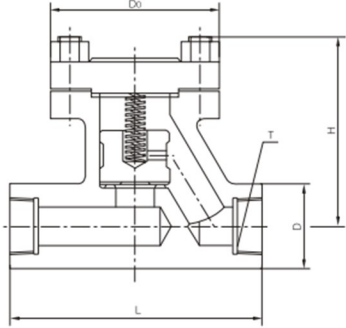
Lift-tupe Forged Steel
Check Valve



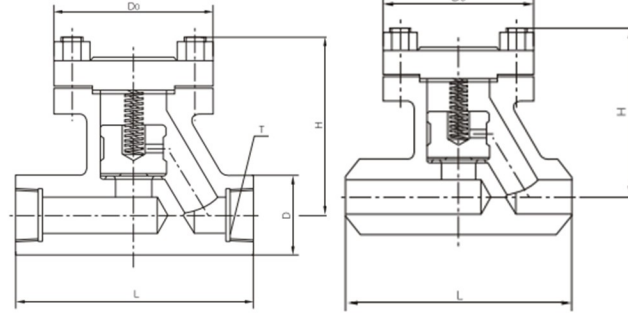
Normal diameter Inch(mm):	DN15-DN600
Pressure Rate:	1.0MPa-4.0MPa
Suitable Temperature:	-29°C~350°C (Different raw material for different work Temperature)
Design Standard:	JB/T 8937-1999
Face to face:	JB/T 8937-1999
Test and Inspection Standard:	GB/T 26480
Connection End:	Wafer
Main material:	A216 WCB、A351 CF8、CF8M、CF3、CF3M、A352 LCB and other special materials etc.
Suitable medium:	Water, oil, gas and various corrosive media (different media use different materials)

Normal diameter Inch(mm):	DN15-DN50
Pressure Rate:	1.6MPa-42.0MPa ; 150LB-1500LB
Suitable Temperature:	-46°C~425°C (Different raw material for different work Temperature)
Design Standard:	BS5352, ASME B16.34, JB/T 7746,GB12235-2008
Face to face:	ASME B16.10, GB/T12221
Test and Inspection Standard:	API 598,GB/T 13927
Connection End:	Flanged , Butt-welding
Main material:	A105、F51、F11、F304、F304L、F316、F316L、LF2、LF3 and other special materials etc.
Suitable medium:	Water, oil, gas and various corrosive media (different media use different materials)

Thread Lift-type Forged Steel Check Valve



Weld Lift-type Forged Steel Check Valve



Normal diameter Inch(mm): DN15-DN50	Normal diameter Inch(mm): DN15-DN50
Pressure Rate: 1.6MPa-16.0MPa	Pressure Rate: 1.6MPa-16.0MPa
Suitable Temperature: -46°C~425°C (Different raw material for different work Temperature)	Suitable Temperature: -46°C~425°C (Different raw material for different work Temperature)
Design Standard: BS5352, ASME B16.34, JB/T 7746, GB12235-2008	Design Standard: BS5352, ASME B16.34, JB/T 7746, GB12235-2008
Face to face: ASME B16.10, GB/T12221	Face to face: ASME B16.10, GB/T12221
Test and Inspection Standard: API 598, GB/T 13927	Test and Inspection Standard: API 598, GB/T 13927
Connection End: Thread etc.	Connection End: Butt-Welding
Main material: A105、F5、F11、F22、304、304L、316、316L、LF2 and other special materials etc.	Main material: A105、F5、F11、F22、304、304L、316、316L、LF2 and other special materials etc.
Suitable medium: Water, oil, gas and various corrosive media (different media use different materials)	Suitable medium: Water, oil, gas and various corrosive media (different media use different materials)

Other valves

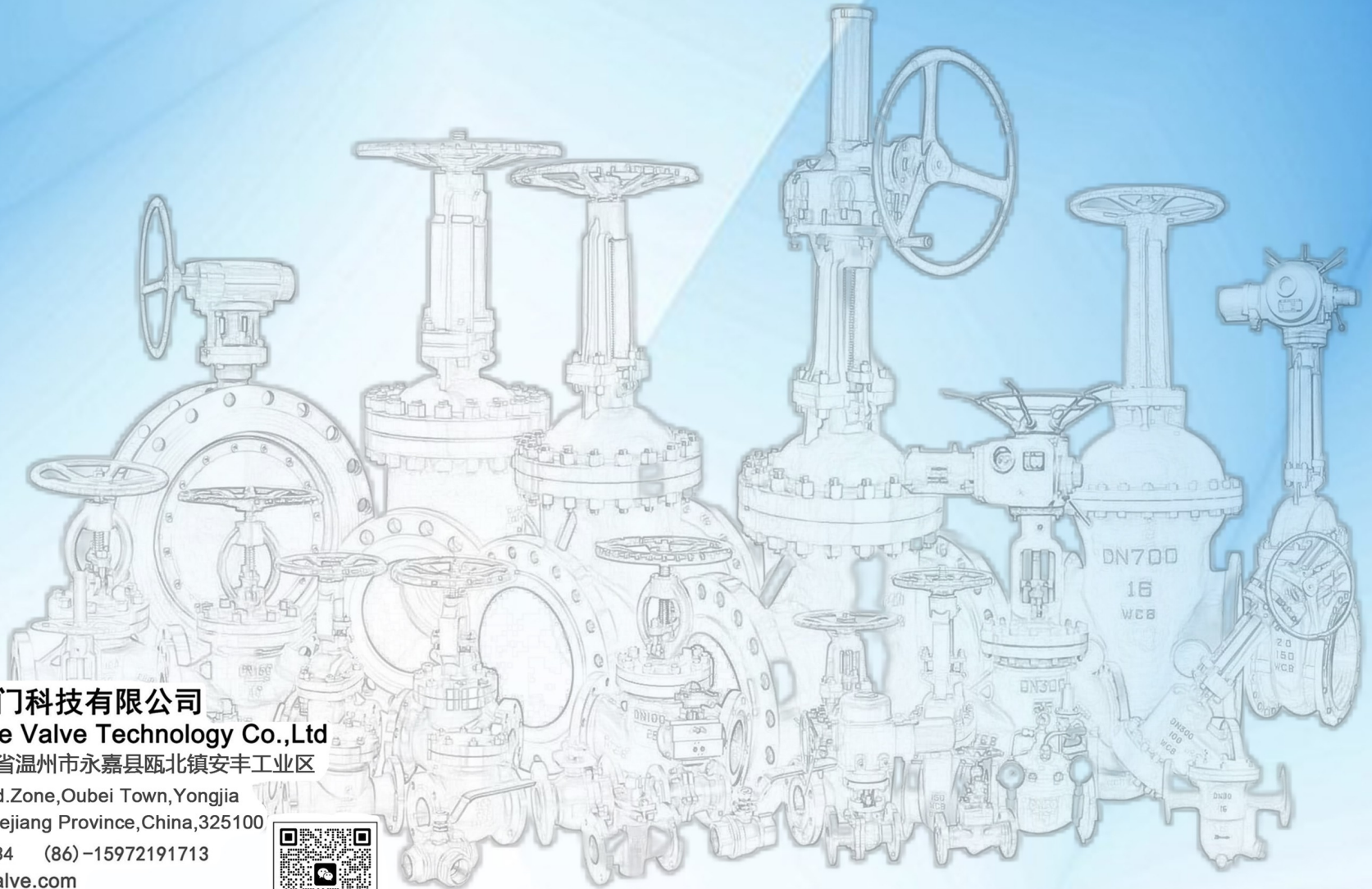


Application Areas



Certifications





中国朗格阀门科技有限公司
China Langge Valve Technology Co.,Ltd

地址：中国浙江省温州市永嘉县瓯北镇安丰工业区

ADD: Anfeng Ind.Zone,Oubei Town,Yongjia
County,Zhejiang Province,China,325100

Tel:0577-58789034 (86)-15972191713

Email:clg@clgvalve.com

Web:www.clgvalve.com

